

#### FEATURES

- Red to Near Infrared Enhanced Photodiode
- Photosensitive active area: 1mm x 1mm
- High Sensitivity:  
0.62A/W ( $\lambda=850\text{nm}$ ), 0.35A/W ( $\lambda=1064\text{nm}$ )
- Rugged Reduced Footprint Surface Mount Device
- > 98 % AR Coated Transmission Window
- Wide Operating Temperature: -40°C TO +125°C
- Ideal for Laser Monitoring Applications
- Suitable for Rain and Sun Sensor Applications
- RoHS and REACH Compliant

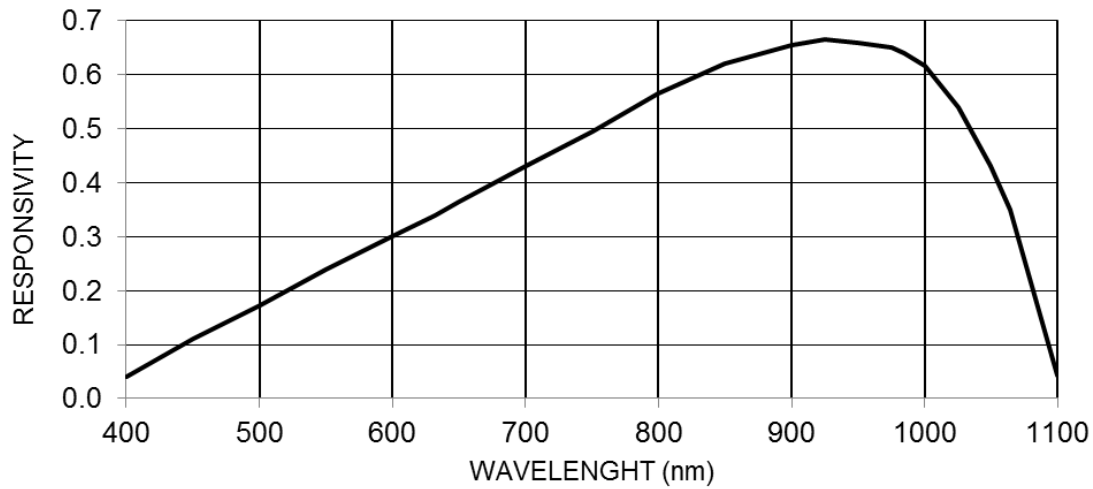
#### ELECTRO-OPTICAL CHARACTERISTICS AT 25°C

PARAMETERS	TEST CONDITIONS	MIN	TYP	MAX	UNITS
Active Area			1		mm <sup>2</sup>
Spectral Response Range $\lambda$		320		1100	nm
Responsivity, $\mathcal{R}$	@ 850nm		.62		A/W
Responsivity, $\mathcal{R}$	@ 1064nm		.35		A/W
Dark Current, $I_{dr}$	$V_r = 3V$		0.1	0.75	nA
Shunt Resistance	$V_R = 10mV$	200	500		M $\Omega$
Reverse Breakdown Voltage, $V_R$	$I_R = 1\mu A$	50			Volts
Capacitance, C	$V_R = 0V$		3		pF
Rise Time	$V_R = 5V$		50		nsec

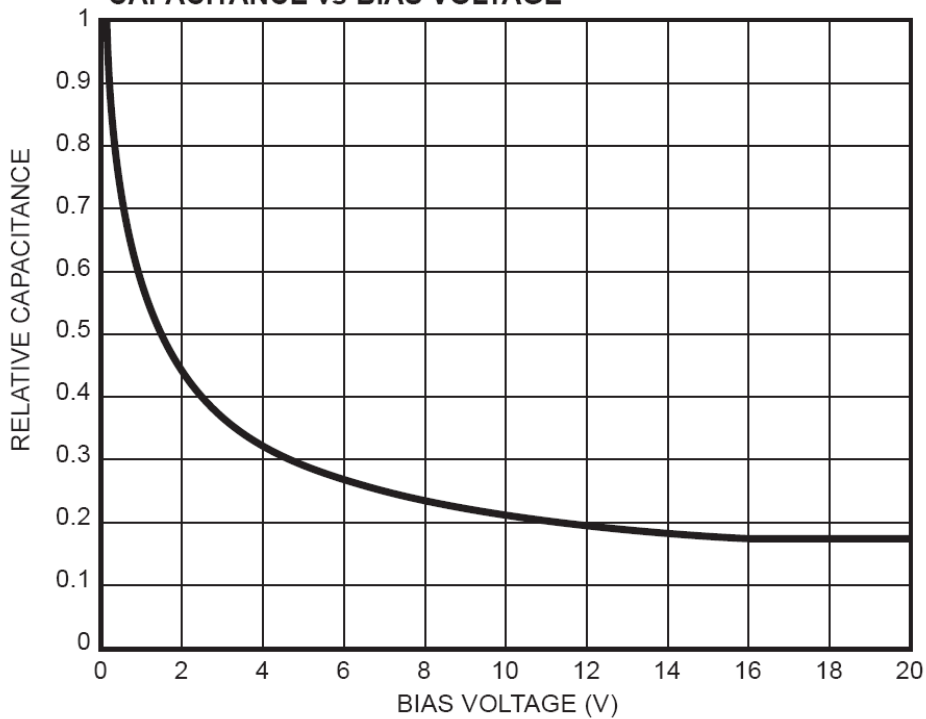
#### THERMAL PARAMETERS

Storage and Operating Temperature Range	-40°C TO 125°C
Maximum Junction Temperature	125°C

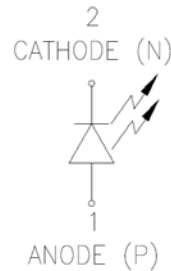
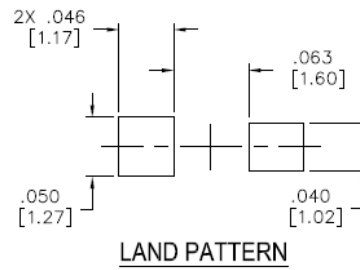
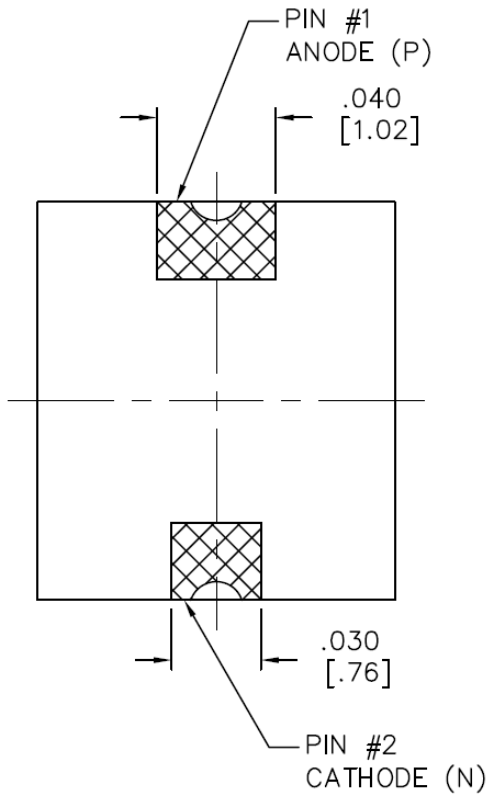
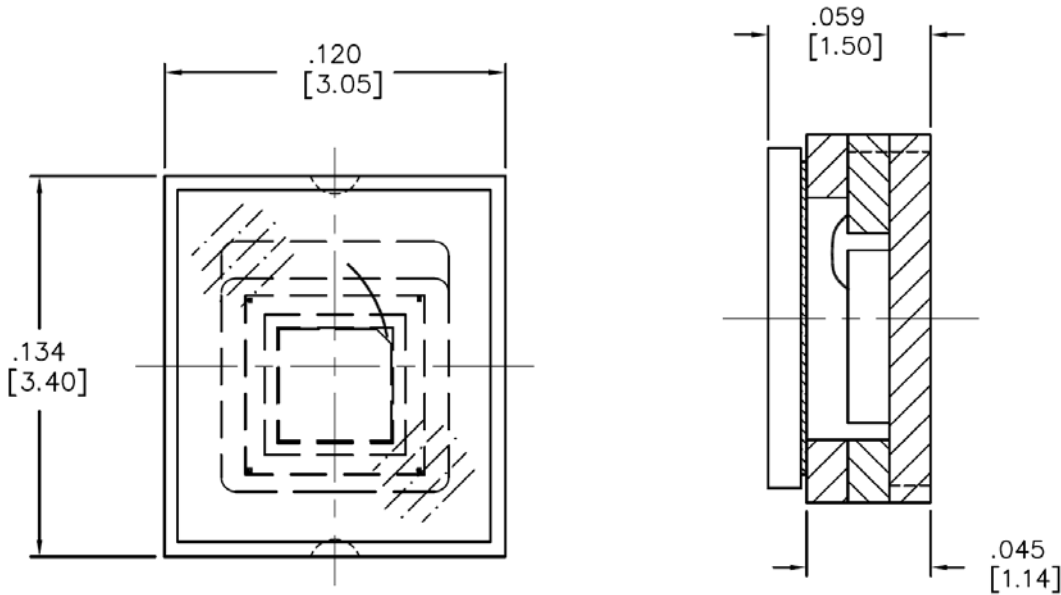
TYPICAL SPECTRAL RESPONSE



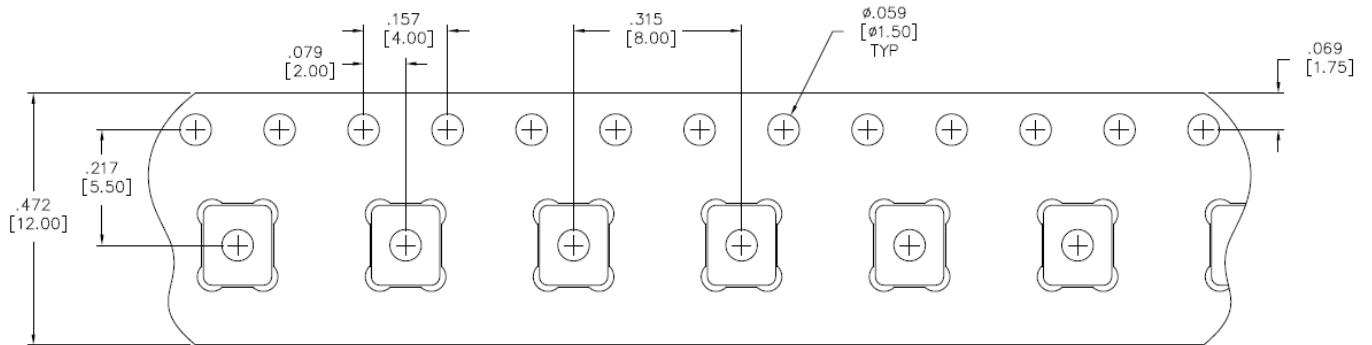
CAPACITANCE vs BIAS VOLTAGE



PACKAGE DIMENSIONS



TAPE AND REEL DIMENSIONS



ORDERING INFORMATION

ODD-1064-003 SMD Ceramic Carrier with LID on 12 mm Tape & Reel