



FEATURES

- SMD LED with Exceptional Efficiency
- Radiant Intensity Categorized
- Tight Spectral Bandwidth
- Rugged Reduced Footprint Surface Mount Package
- Available On Tape & Reel
- Wide Operating Temperature: -40°C TO +125°C
- Ideal for Biological Analysis, Health, Science, Medical, and Veterinary Applications
- RoHS and REACH Compliant

ELECTRO-OPTICAL CHARACTERISTICS AT 25°C

PARAMETERS	TEST CONDITIONS	MIN.	TYP.	MAX.	UNITS
Forward Voltage	$I_F = 20\text{mA}$		1.8	2.2	V
Radiant Power	$I_F = 20\text{mA}$	1.0	2.0		mW
Radiant Efficiency	$I_F = 20\text{mA}$		56		%
Peak Wavelength λ_p	$I_F = 20\text{mA}$		685		nm
Spectral Bandwidth at 50% $\Delta\lambda$	$I_F = 20\text{mA}$		30		nm
Reverse Breakdown Voltage V_R	$I_R = 10\mu\text{A}$	10			V
Rise Time**	$I_{FP} = 20\text{mA}$			100	nsec
Fall Time**	$I_{FP} = 20\text{mA}$			40	nsec

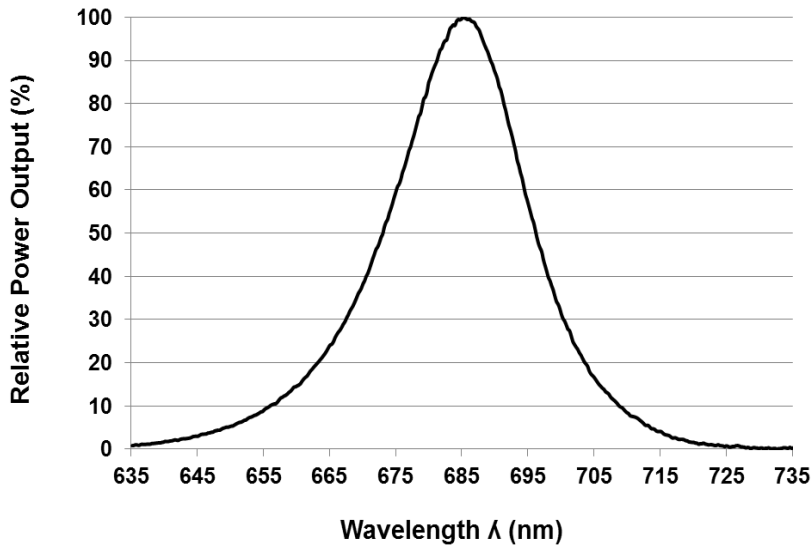
ABSOLUTE MAXIMUM RATINGS AT 25°C

Parameters	Value	Units
Power Dissipation	110	mW
Continuous Forward Current	50	mA
Peak Forward Current*	100	mA
Storage and Operating Temperature Range	-40 TO +125	°C
Maximum Junction Temperature	125	°C

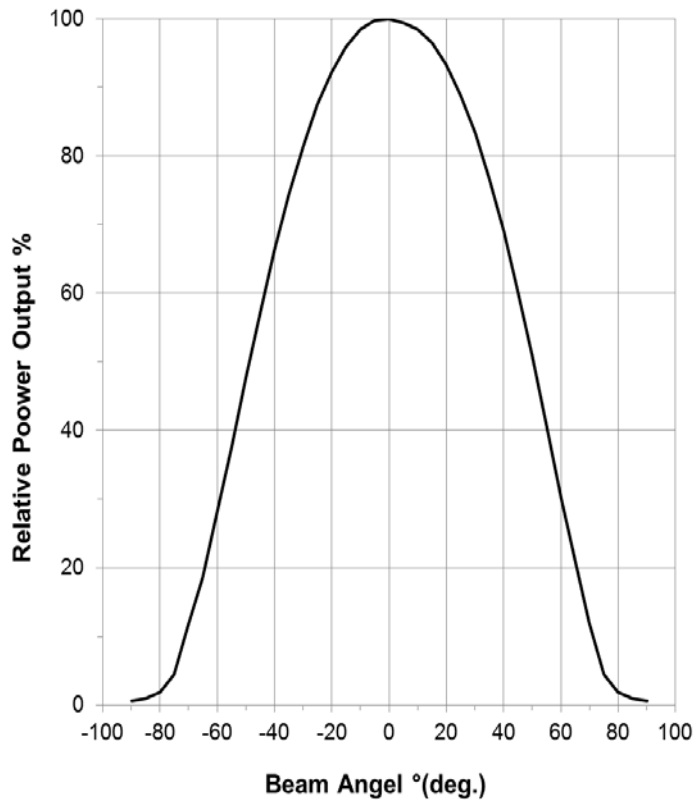
*10uSec @ 300Hz

** Measured Output with Photo Detector Circuit

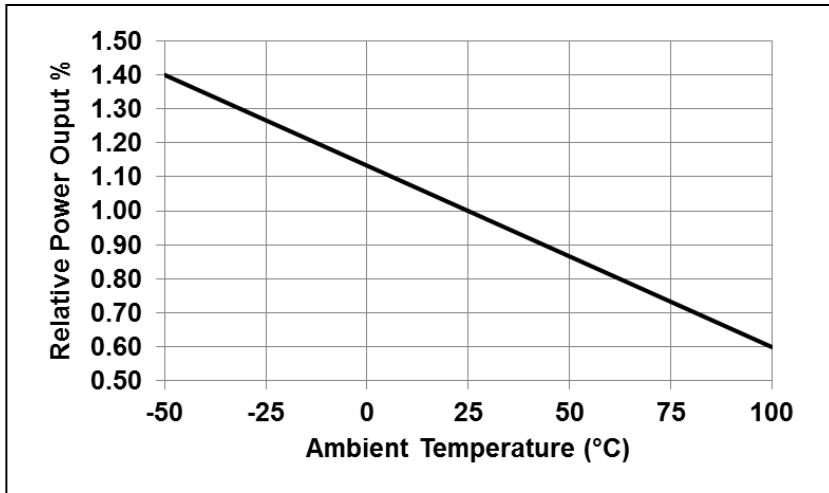
SPECTRAL OUPUT



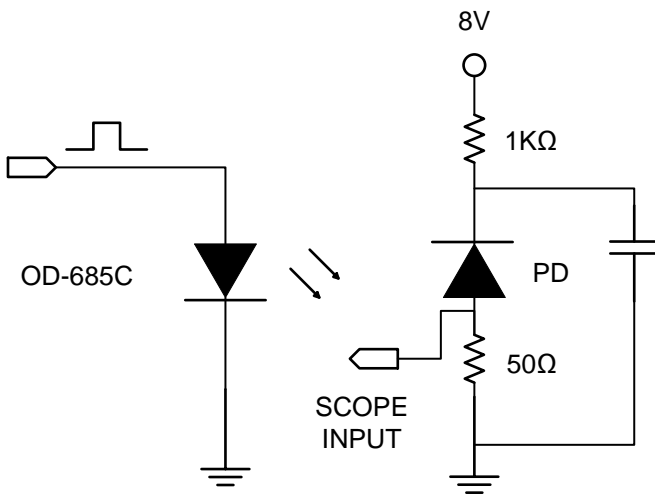
RADIATION PATTERN



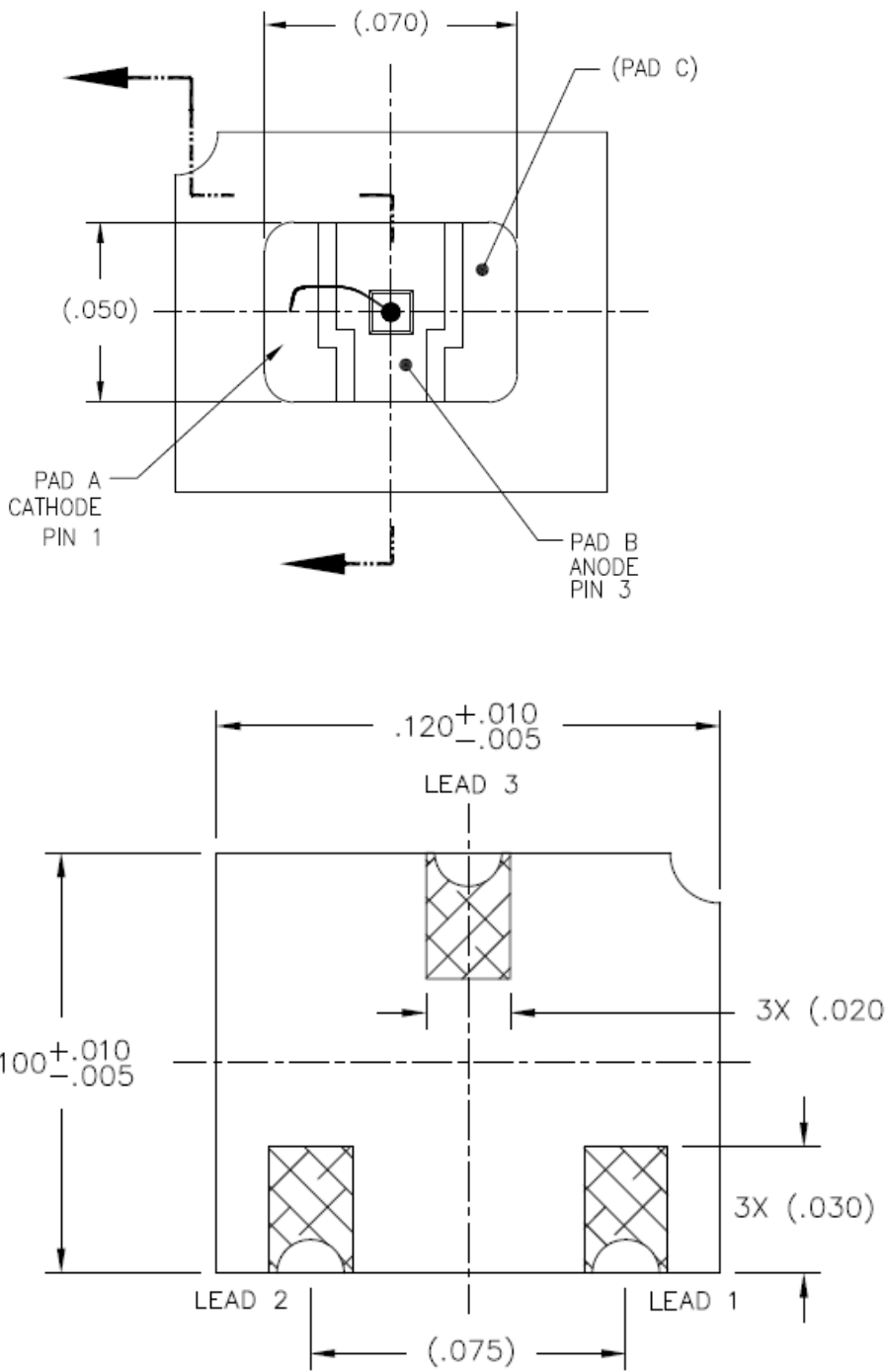
POWER OUTPUT vs. TEMPERATURE

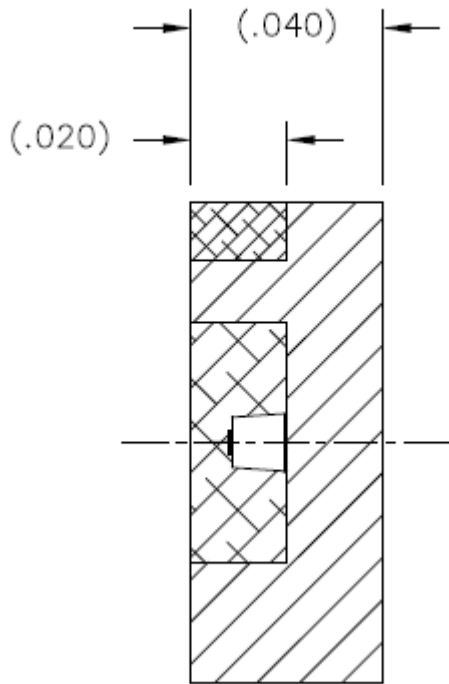


MEASURED RISE & FALL TIME SETUP



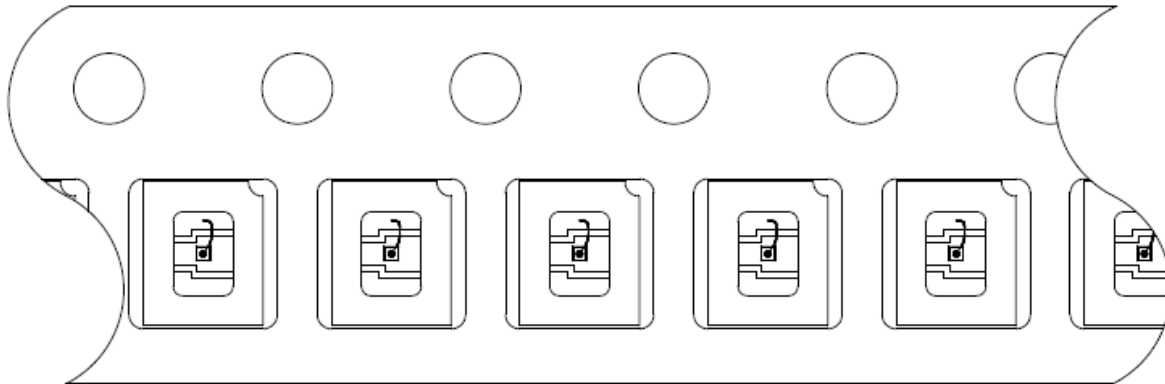
PACKAGE INFORMATION





Pin Out Description		
Pad	Lead	Description
A	1	Cathode
B	2	Anode
C	3	Gnd

TAPE DIMENSIONS



ORDERING INFORMATION

OD-2438 – OD-685C Deep Red SMD LED on Tape & Reel