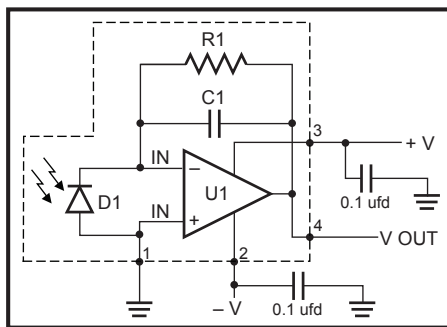


FEATURES

- Large active area
- Low noise
- High sensitivity
- Custom gains available
- Hermetically sealed TO-39
- Blue enhanced detector



ELECTRO-OPTICAL CHARACTERISTICS AT 23°C

PARAMETERS	TEST CONDITIONS	MIN	TYP	MAX	UNITS
Dark Offset	$V_s = \pm 5 V$		1.2	± 2	mV
Dark Offset Noise	$V_s = \pm 5$ BW = 0.1 to 1000 Hz		198	250	μV rms
Sensitivity	$V_s = \pm 5 V$ $\lambda = 450 \text{ nm}$	20	28		$V/\mu W$
Frequency Response (-3 db)	$V_s = \pm 5 V$ $\lambda = 940 \text{ nm}$	900	1000		Hz
NEP	$\lambda = 940 \text{ nm}$		0.08		pW/\sqrt{Hz}
Transimpedance Gain			100		$M\Omega$
Supply Current			850	950	μA

ABSOLUTE RATINGS

Voltage Supply Range +V to -V*	5 to 15V
Power Dissipation	15 mW
Storage and Operating Temperature	-25° to +100° C
Soldering Temperature (1/16" from case for 3 seconds max)	+260° C

* Voltage supply across the device requires a minimum of 5V to a maximum of 15V from +V to -V.



