



FEATURES

- Narrow Spectral Output
- Hermetic TO-46 Package
- Wavelength Suitable for Disinfection
- Long Lifetime

Electro-Optical Characteristics at 25°C

Parameters	Test Conditions	Min	Typ	Max	Units
Total Power Output, P _o	I _F = 20 mA	0.7	0.85		mW
Peak Emission Wavelength, λ _P	I _F = 20 mA	260	265	270	nm
Spectral Bandwidth at 50%, Δλ	I _F = 20 mA		13		nm
Half Intensity Beam Angle, θ	I _F = 20 mA		70		Deg
Forward Voltage, V _F	I _F = 20 mA		5	6.5	Volts
Rise and Fall Time			115		nsec

Absolute Maximum Ratings at 25°C

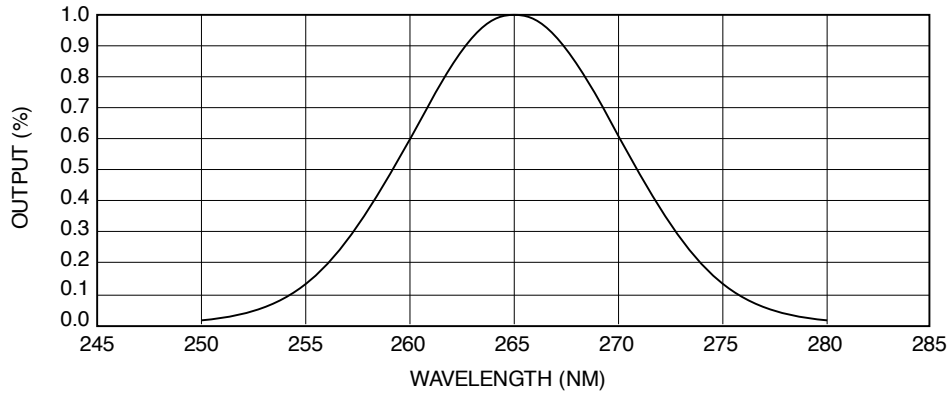
Parameters	Units
Power Dissipation*	195 mW
Continuous Forward Current*	30 mA
Reverse Voltage	5 V
Lead Soldering Temperature (1/16" from case for 10 sec)	240°C

*Derate linearly 25°C to 80°C.

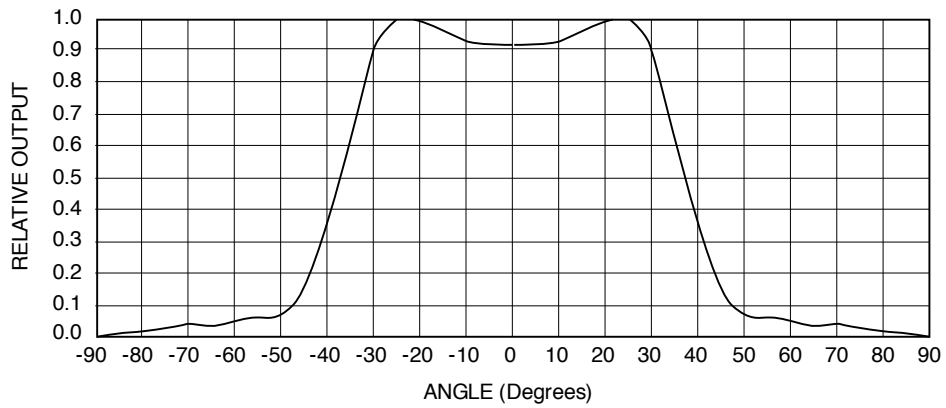
Thermal Parameters

Parameters	Units
Storage Temperature Range	-40°C to 100°C
Operating Temperature Range	-30°C to 80°C

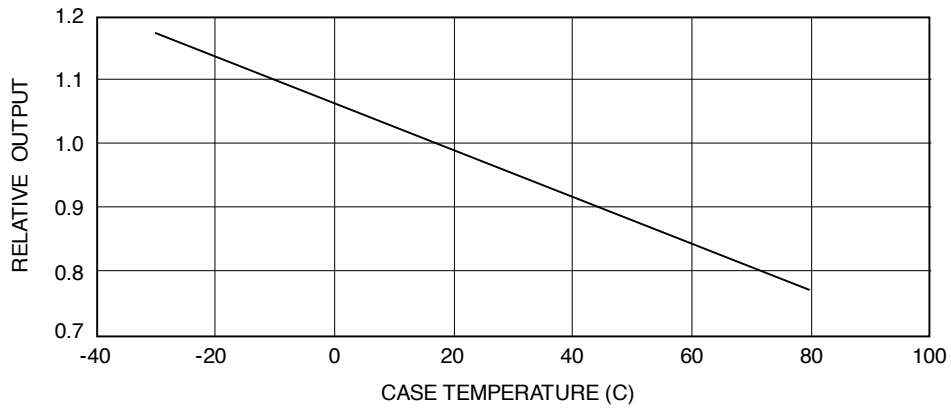
Spectral Output



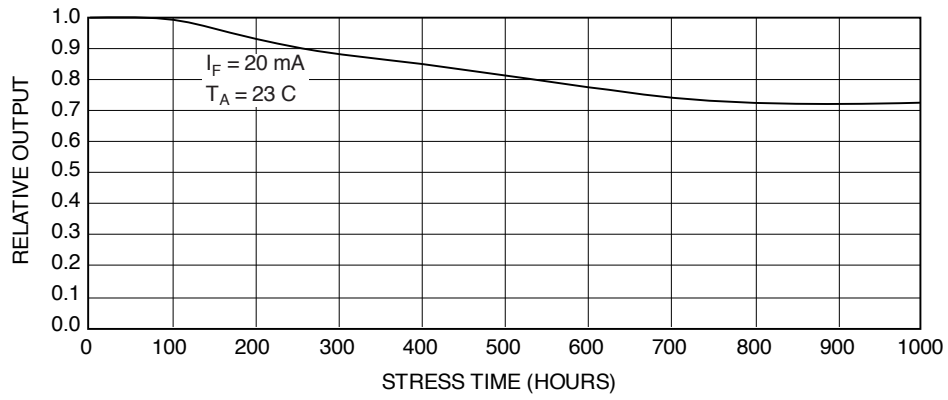
Radiation Pattern



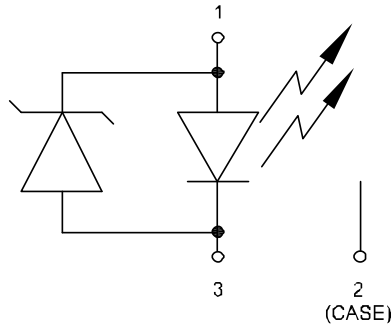
Power Output vs Temperature



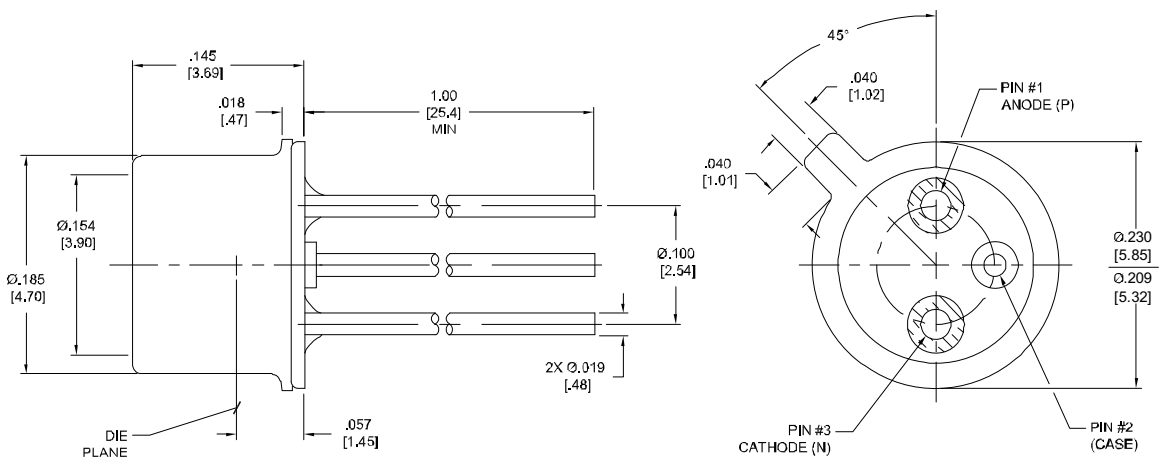
Power Output Degradation



Schematic



Package Information



Dimensions are nominal values in inches unless otherwise specified.

Specifications are subject to change without prior notice.