

FEATURES

- Rectangular Active Area
- Excellent Stability after EUV Exposure
- Windowless Package for Responsivity to 1 nm
- Ceramic Package

Electro-Optical Characteristics at 25 °C

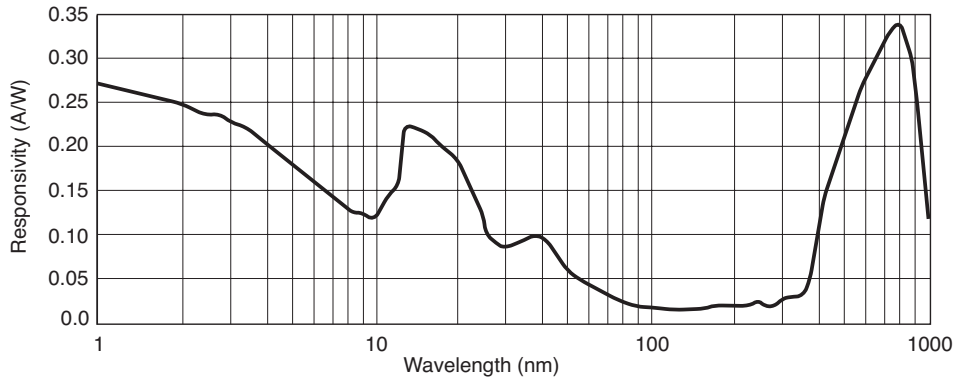
| Parameters | Test Conditions | Min | Typ | Max | Units |
|---|---------------------------------|-----|-----|-----|-----------------|
| Active Area | 22.05 mm x 15.85 mm | | 331 | | mm ² |
| Responsivity | See attached graph | | | | A/W |
| Shunt Resistance | @ ± 10 mV | 5 | | | MOhms |
| Reverse Breakdown Voltage, V _R | I _R = 1 μA | 20 | 25 | | Volts |
| Capacitance, C | V _R = 0 V | | 25 | 40 | nF |
| Response Time, tr | RL = 50 Ω, V _R = 0 V | | 15 | | usec |

Thermal Parameters

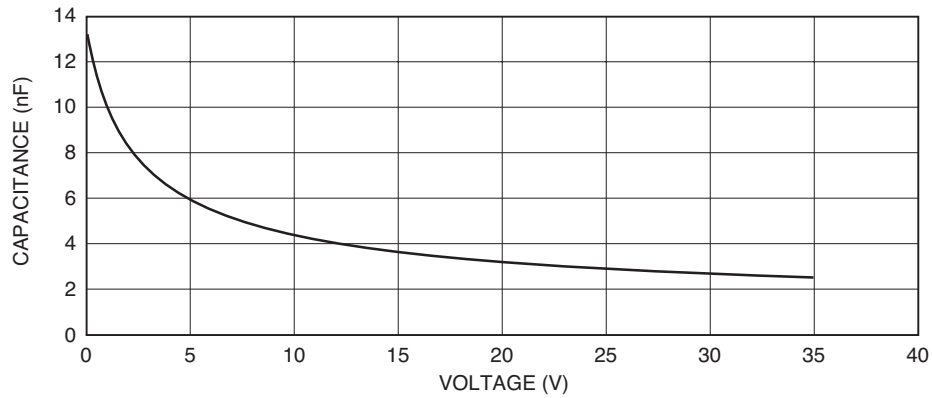
| Storage and Operating Temperature Range | Units |
|---|----------------|
| Ambient | -10 ° to 40 °C |
| Nitrogen or Vacuum | -20 ° to 80 °C |
| Lead Soldering Temperature ¹ | N/A |

¹ Soldering not recommended. Use with AXUV300CTS socket or equivalent.

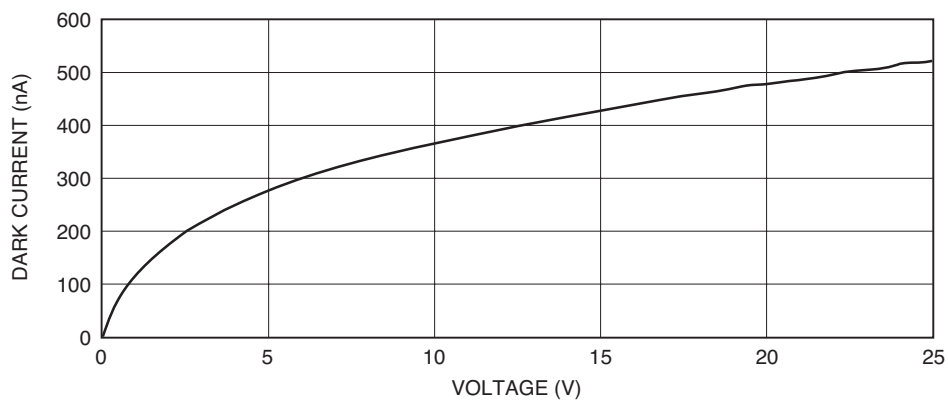
Typical Photon Responsivity



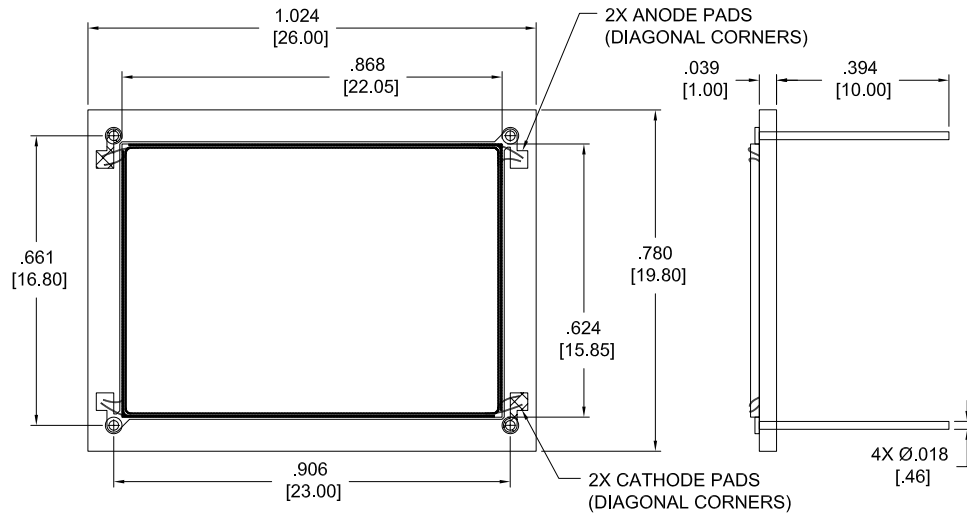
Capacitance vs. Voltage



Dark Current vs. Voltage



Package Information



Dimensions are in inch [metric] units.

Specifications are subject to change without prior notice.