

FEATURES

- 22 Pin Dual-In-Line Package
- Ideal for Electron Detection
- Protective Cover Plate³

Electro-Optical Characteristics at 25 °C

Parameters	Test Conditions	Min	Typ	Max	Units
Active Area	0.75 mm x 4.1 mm		3		mm ²
Responsivity	(see graphs on next page)				A/W
Reverse Breakdown Voltage, V _R	I _R = 1 μA	20	25		Volts
Capacitance, C	V _R = 0 V			1	nF
Rise Time	V _R = 0 V			200	nsec
Shunt Resistance (per element)	V _f = ± 10 mV	100			MOhms

Thermal Parameters

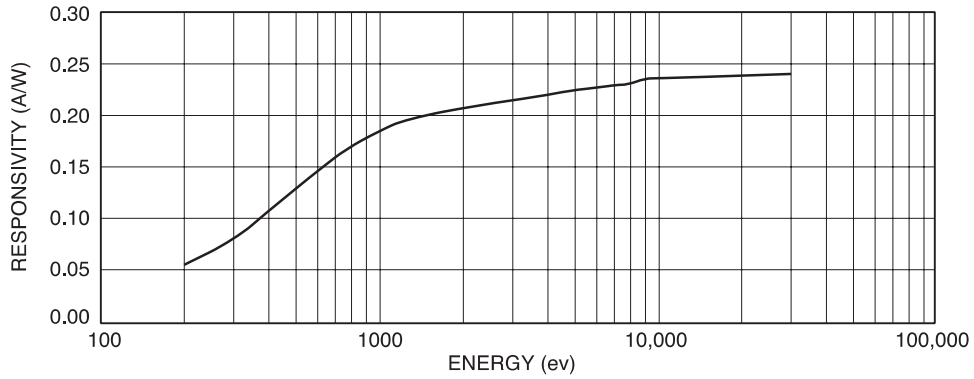
Storage and Operating Temperature Range	Units
Ambient ¹	-10°C to 40°C
Nitrogen or Vacuum	-20°C to 80°C
Lead Soldering Temperature ²	260°C

¹ Temperatures exceeding these parameters may create oxide growth on the active area. Over time responsivity to low energy radiation and wavelengths below 150 nm will be compromised.

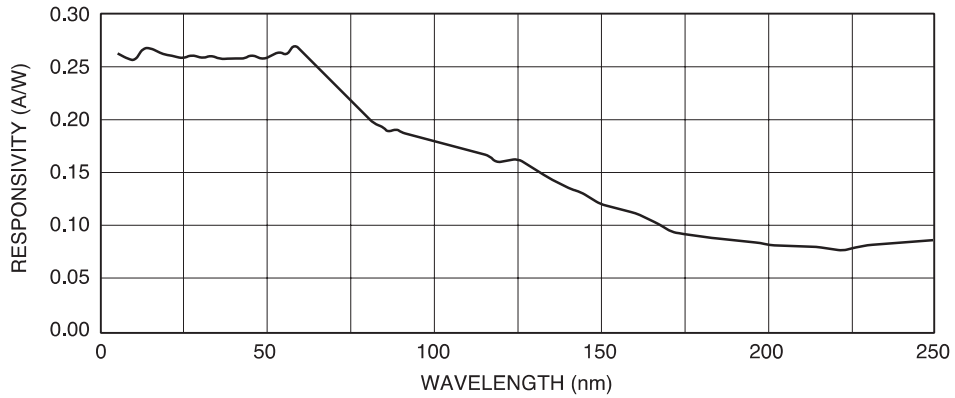
² 0.080" from case for 10 seconds.

³ Shipped with temporary cover to protect the photodiode array and wire bonds. Review the Application Note, "Handling Precautions for AXUV, SXUV, and UVG Detectors", prior to removing cover.

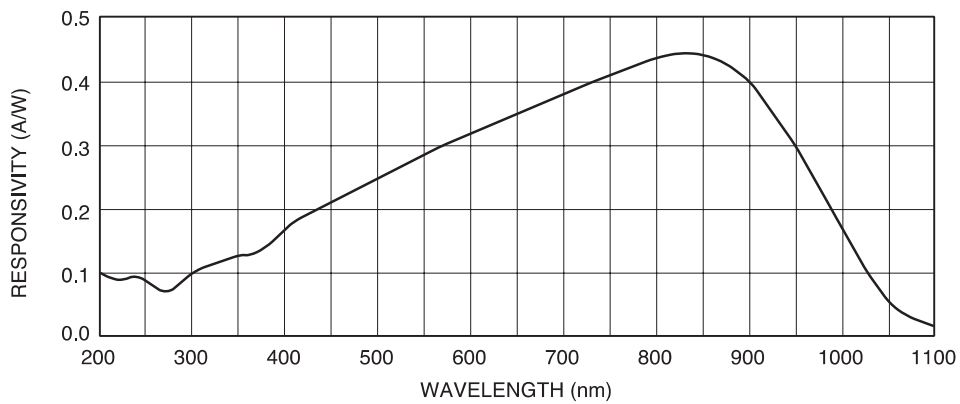
Typical Electron Response



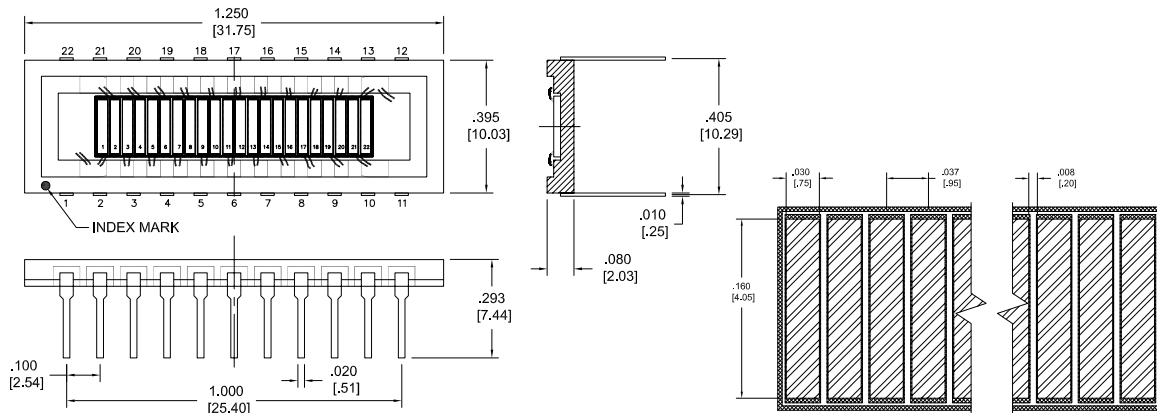
Typical EUV-UV Photon Response



Typical UV-VIS-NIR Photon Responsivity



Package Information



Dimensions are in inch [metric] units.

Pin Description

Pins	Connection	Pins	Connection
1, 12	Common Anode	13	Cathode Element 20
n/a	Cathode Element 1	14	Cathode Element 18
2	Cathode Element 3	15	Cathode Element 16
3	Cathode Element 5	16	Cathode Element 14
4	Cathode Element 7	17	Cathode Element 12
5	Cathode Element 9	18	Cathode Element 10
6	Cathode Element 11	19	Cathode Element 8
7	Cathode Element 13	20	Cathode Element 6
8	Cathode Element 15	21	Cathode Element 4
9	Cathode Element 17	22	Cathode Element 2
10	Cathode Element 19	n/a	Cathode Element 22
11	Cathode Element 21		

Specifications are subject to change without prior notice.