

FEATURES

- Circular Active Area
- Ideal for EUV Detection
- Higher Responsivity
- Lower Noise
- Superior Radiation Hardness
- High Photon Flux Robustness
- TO-8 package

Electro-Optical Characteristics at 25°C

Parameters	Test Conditions	Min	Typ	Max	Units
Active Area	Φ5.01 mm		20		mm ²
Responsivity	(see graph on next page)				A/W
Capacitance, C	V _R = 0 V		1.55	3	nF
Rise Time	R _L = 50 Ω, V _R = 0 V		2		usec
Shunt Resistance	V = ±10 mV	50	200		MOhms

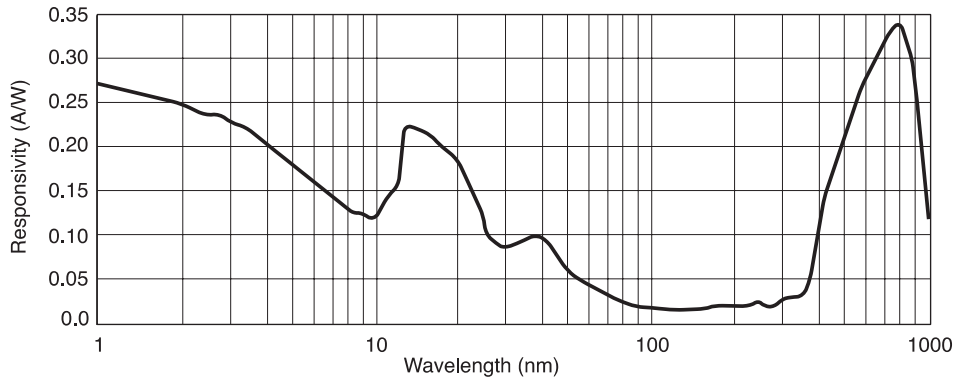
¹ Die Active Area = Φ5.5 mm, Aperture Size = Φ4.9 mm.

Thermal Parameters

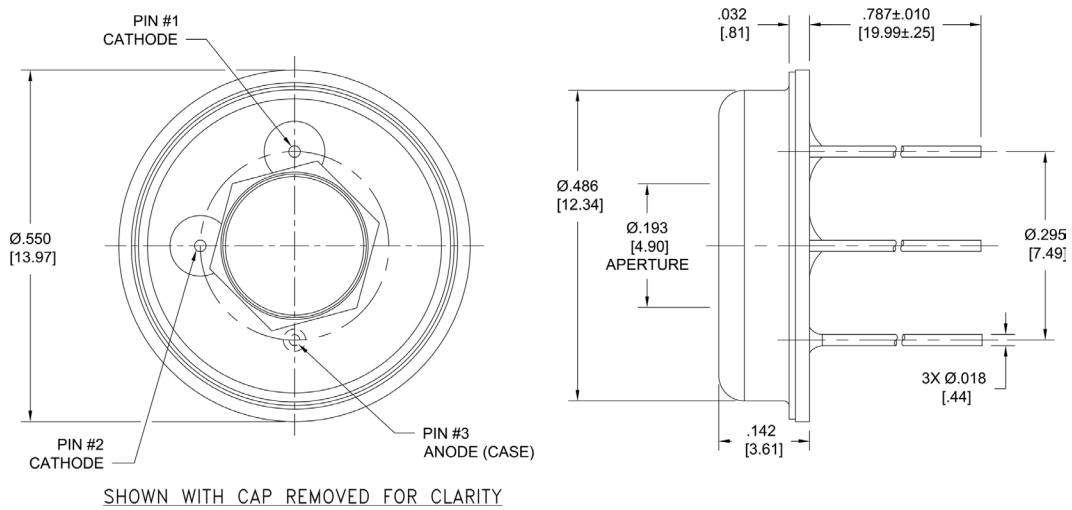
Parameters	Units
Storage Temperature Range	-20°C to 100°C
Operating Temperature Range	-20°C to 80°C
Lead Soldering Temperature ²	260°C

² 1/16" from case for 10 seconds.

Typical Photon Responsivity



Package Information



Dimensions are in inches [metric] units.

Specifications are subject to change without prior notice.