

FEATURES

- Circular Active Area
- TO-5 package
- Excellent Stability after EUV Exposure
- Windowless Package for Responsivity to 1 nm

Electro-Optical Characteristics at 25°C

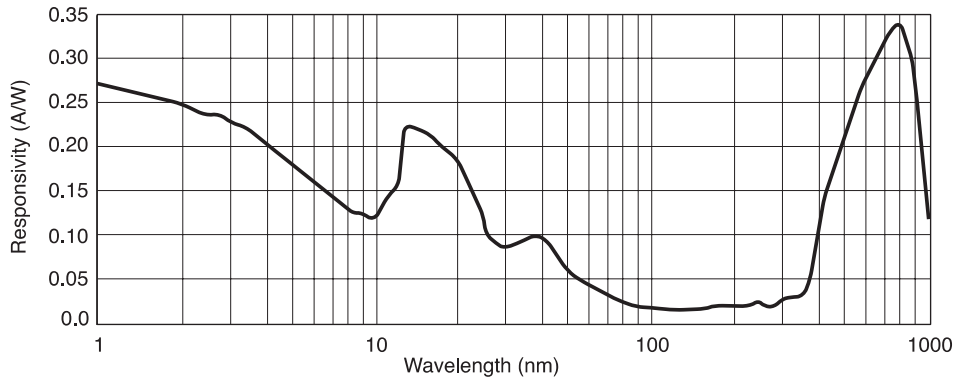
Parameters	Test Conditions	Min	Typ	Max	Units
Active Area	2.5 diameter		5		mm ²
Responsivity	(see graph on next page)				
Shunt Resistance, Rsh	V = ± 10 mV	20			MOhms
Capacitance, C	V _R = 0 V		500	1500	pF
Response Time, tr	RL = 50 Ω , V _R = 0 V		1	2	usec

Thermal Parameters

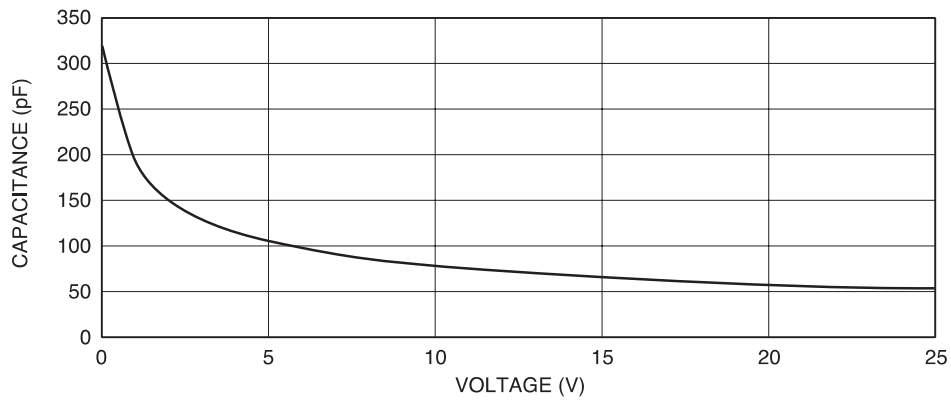
Storage and Operating Temperature Range	Units
Ambient	-10°C to 40°C
Nitrogen or Vacuum	-20°C to 80°C
Lead Soldering Temperature ¹	260°C

¹ 0.08" from case for 10 seconds.

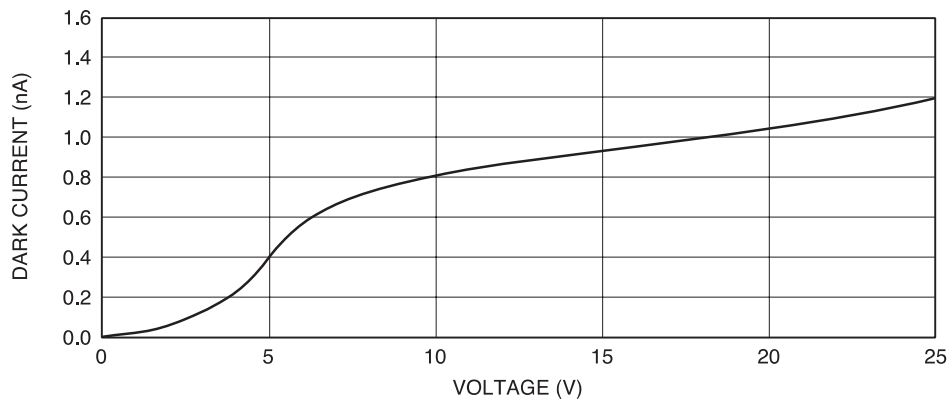
Typical Photon Responsivity



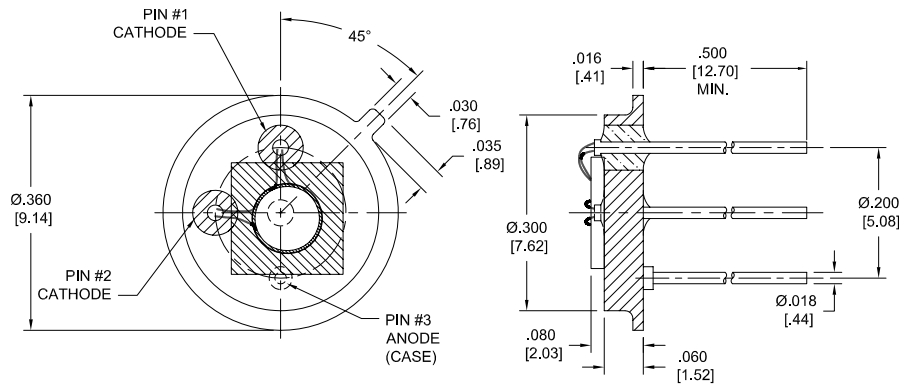
Capacitance vs. Voltage



Dark Current vs. Voltage



Package Information



Dimensions are in inches [metric] units.

Specifications are subject to change without prior notice.